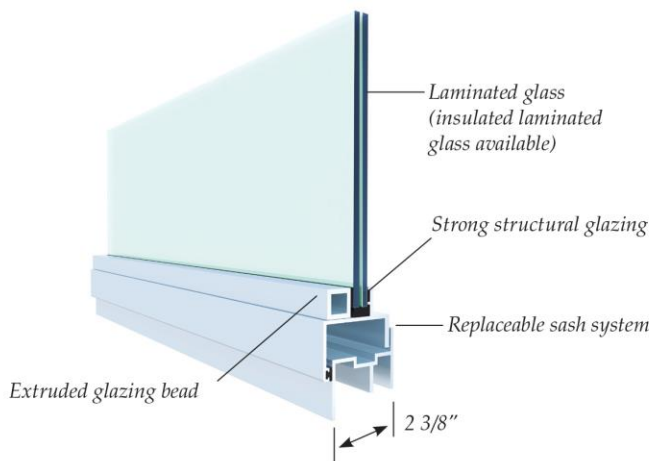
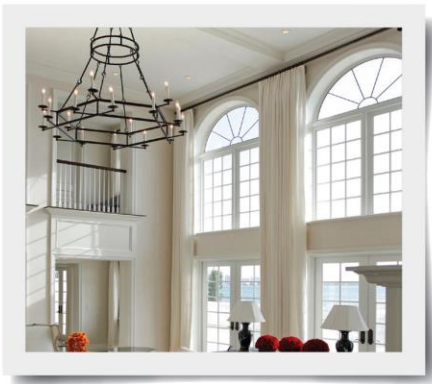


238 FIXED AND DESIGNER FIXED WINDOW

Available up to 45 Sq ft, architecturally correct sightlines, sash and frame construction allowing for easy sash replacement and install.



Designer window shown. See profile of casement for rectangular fixed windows.

Available Finishes

White, Bronze, Bone White Kynar or equivalent, Class I Clear Anodized, Aspen Wood Grain Finishes, Custom Colors

Standard Glass Colors

Clear, Gray, Dark Gray (Turtle Code), Bronze, Solexia Green, Azuria Blue, White Interlayer, Mist (Pattern 62), Rain

Glass Types

- 7/16" Laminated
- 3/4" Insulated Laminated

Glass Coatings

- Energy Efficient LoE Coatings

Standard Features

- Extruded glazing beads (contoured ogee for rectangular window, and contemporary square bead for designer)
- Stainless steel assembly screws
- Corner keys for rectangular units and welded corner in designer units
- Double Weatherstripping
- 1/2" exterior flange frame

Optional Items

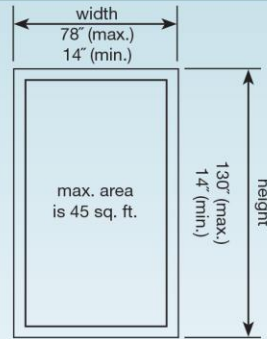
- Decorative screw covers for rectangular fixed window
- Square glazing beads
- Equal leg frame (rectangular fixed only)
- Extruded double applied raised profile 1" and 3 1/2" muntins (not applicable with insulated glass)
- Muntin grids inside insulated glass (GBGs)



– See page 29 for some of our Designer Fixed configurations.

SIZE LIMITATIONS ON RECTANGULAR FIXED WINDOW

- Visible glass area (daylight dimension) equals window "width" or "height" - 7"
- Maximum area 25 square feet for insulated laminated glass
- Overall square footage area not to exceed 45 square feet for laminated glass
- Maximum window width is 130" (Maximum height at this width is 48")
- Minimum window width is 14"
- Please contact your CGI provider for Designer Fixed window size limitations



PERFORMANCE RESULTS

SERIES 238 RECTANGULAR FIXED WINDOW

| | | |
|---|---|--|
| Maximum Water Resistance | | 16.5 PSF |
| Large Missile Laminated Glass | 26 1/2" x 50 5/8" Window (Ann/Ann or HS/HS Glass) 37" x 63" Window (Ann/Ann or HS/HS Glass) 48" x 72" Window (Ann/Ann or HS/HS Glass) 26 1/2" x 50 5/8" Window (HS/HS Glass) 48" x 72" Window (HS/HS Glass) 54" x 120" Window (HS/HS Glass) | +110 /-148.7 PSF +102.1/-111.3 PSF +85.5 /-85.5 PSF +110 /-195 PSF +90 /-90 PSF +50 /-50 PSF |
| Large Missile Insulated Laminated Glass | 26 1/2" x 50 5/8" Window (Ann-Air-Ann/Ann Glass) 37" x 63" Window (Ann-Air-Ann/Ann Glass) 48" x 72" Window (Ann-Air-Ann/Ann Glass) 26 1/2" x 50 5/8" Window (Temp-Air-Temp/Temp Glass) 37" x 63" Window (Temp-Air-Temp/Temp Glass) 48" x 72" Window (Temp-Air-Temp/Temp Glass) | +110 /-139.4 PSF +74.9 /-74.9 PSF +53.7 /-53.7 PSF +110 /-147.2 PSF +110.2 /-110.2 PSF +90 /-90 PSF |
| Forced Entry Test (AAMA 1302.5) | | Passed |

* Design Load Capacities with Reinforcement

PERFORMANCE RESULTS

SERIES 238 DESIGNER FIXED WINDOW

| | | |
|---|--|--|
| Maximum Water Resistance | | 16.5 PSF |
| Large Missile Laminated Glass | 26 1/2" x 50 5/8" Window (Ann/Ann Glass) 37" x 63" Window (Ann/Ann Glass) 48" x 72" Window (Ann/Ann Glass) 26 1/2" x 50 5/8" Window (HS/HS Glass) 37" x 63" Window (HS/HS Glass) 48" x 72" Window (HS/HS Glass) | +110 /-147.2 PSF +110 /-110.2 PSF +83.9 /-83.9 PSF +110 /-169.7 PSF +110 /-120 PSF +90.0 /-90.0 PSF |
| Large Missile Insulated Laminated Glass | 26 1/2" x 50 5/8" Window (Temp-Air-Ann/Ann Glass) 37" x 63" Window (Temp-Air-Ann/Ann Glass) 48" x 72" Window (Temp-Air-Ann/Ann Glass) 26 1/2" x 50 5/8" Window (Temp-Air-Temp/Temp Glass) 37" x 63" Window (Temp-Air-Temp/Temp Glass) 48" x 72" Window (Temp-Air-Temp/Temp Glass) | +110 /-133 PSF +72.9 /-72.9 PSF +52.9 /-52.9 PSF +110 /-169.7 PSF +110 /-120 PSF +90.0 /-90.0 PSF |
| Forced Entry Test (AAMA 1302.5) | | Passed |

* Performance values for small missile are also available.

ENERGY VALUES (NFRC Approved)

| 238 Designer/Fixed | U-Factor | SHGC | VT |
|--|----------|------|------|
| 7/16" Laminated Gray | 0.98 | 0.46 | 0.38 |
| 7/16" Laminated Clear | 0.98 | 0.58 | 0.68 |
| 7/16" Laminated Clear LoE 366 | 0.99 | 0.29 | 0.47 |
| 3/4" Insulated Laminated Clear LoE 366 | 0.52 | 0.23 | 0.49 |
| 3/4" Insulated Laminated Clear LoE 270 | 0.52 | 0.30 | 0.54 |