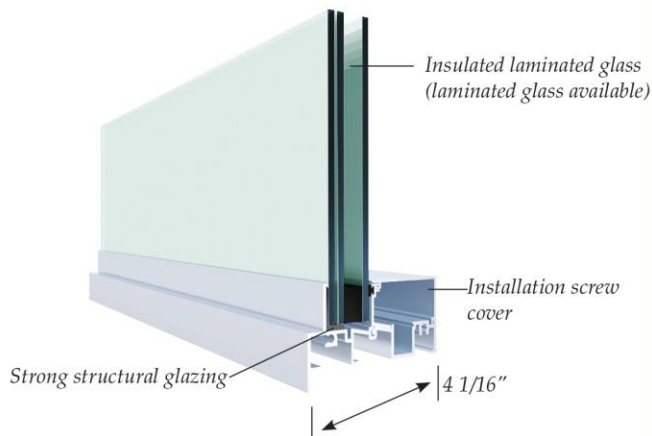


410 FIXED WINDOW

Industry's largest fixed window available in sizes up to 6x10 (60 square feet), direct set frame design, removable interior glazing bead cover, stainless steel assembly screws and clipless mullions.



Available Finishes

White, Bronze, Bone White Kynar or equivalent, Class I Clear Anodized, Aspen Wood Grain Finishes, Custom Colors

Standard Glass Colors

Clear, Gray, Dark Gray (Turtle Code), Bronze, Solexia Green, Azuria Blue, White Interlayer, Mist (Pattern 62), Rain

Glass Types

- 7/16" Laminated
- 1.2" Insulated Laminated

Glass Coatings

- Energy Efficient LoE Coatings

Standard Features

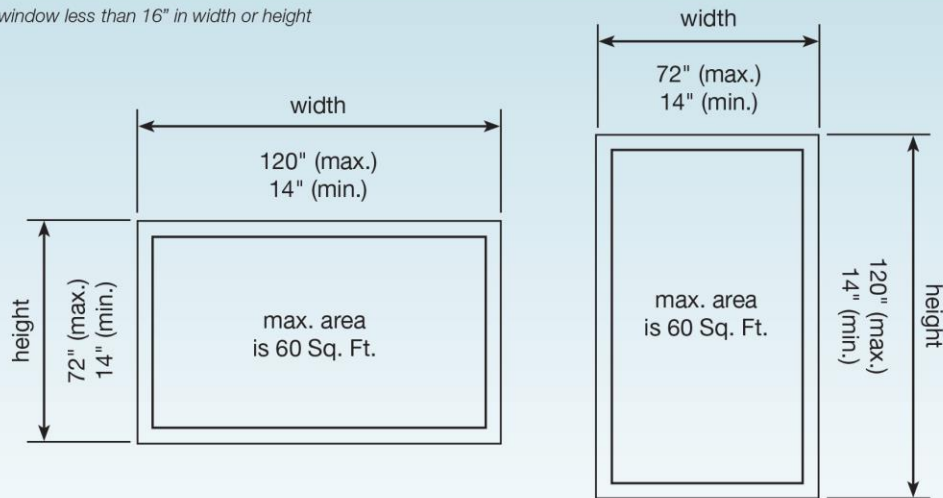
- Direct set frame design
- Stainless steel assembly screws
- Removable interior glazing bead and cover
- Concealed installation fasteners
- 1/2" exterior flange frame

Optional Items

- Flat muntins
- Equal leg frame
- Clipless mullion
- Small missile impact resistant option

SIZE LIMITATIONS

Avoid using window less than 16" in width or height



PERFORMANCE RESULTS

Maximum Water Resistance		20 PSF
Large Missile Laminated Glass	63" x 48" Window (Ann/Ann Glass) 60" x 96" Window (Ann/Ann Glass) 72" x 120" Window (HS/HS Glass) 63" x 48" Window (HS/HS Glass) 60" x 96" Window(HS/HS Glass)	+91.1 /-91.1 PSF +51.8 /-51.8 PSF +75 /-75 PSF +133 /-150 PSF +103.6 /-103.6 PSF
Large Missile Insulated Laminated Glass	63" x 48" Window (Ann/Ann-Air-Ann Glass) 60" x 96" Window (Ann/Ann-Air-Ann Glass) 72" x 120" Window (HS/HS-Air-Temp Glass) 63" x 48" Window (HS/HS-Air-Temp Glass) 60" x 96" Window (HS/HS-Air-Temp Glass)	+88.4 /-88.4 PSF +50.3 /-50.3 PSF +75 /-75 PSF +133 /-150 PSF +106.2 /-106.2 PSF
Forced Entry Test (AAMA 1302.5)		Passed

* Design Load Capacities with Reinforcement

* Performance values for small missile are also available.

ENERGY VALUES (NFRC Approved)

410 Fixed	U-Factor	SHGC	VT
7/16" Laminated Gray	1.04	0.48	0.40
7/16" Laminated Clear	1.04	0.61	0.70
7/16" Laminated Clear LoE 366	1.04	0.31	0.49
1.2" Insulated Laminated Clear LoE 366	0.48	0.31	0.50
1.2" Insulated Laminated Clear LoE 270	0.49	0.35	0.54