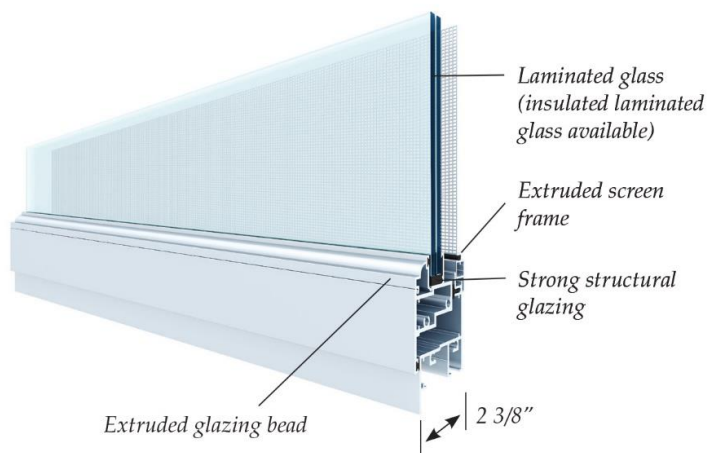
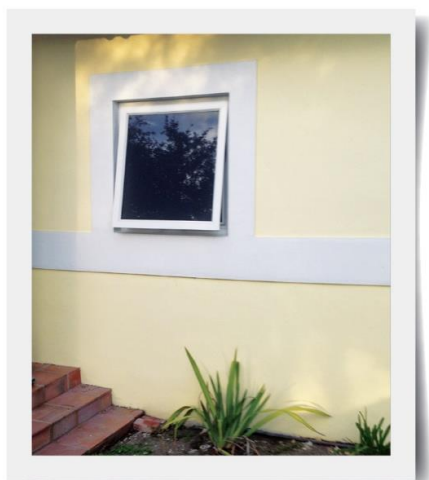


238 PROJECT OUT WINDOW

Industry leading Project Out with design pressures up to +110/-195 PSF, Ogee glazing beads and muntins, standard stainless steel package and matching sightlines to the fixed and casement windows.



Available Finishes

White, Bronze, Bone White Kynar or equivalent, Class I Clear Anodized, Aspen Wood Grain Finishes, Custom Colors

Standard Glass Colors

Clear, Gray, Dark Gray (Turtle Code), Bronze, Solexia Green, Azuria Blue, White Interlayer, Mist (Pattern 62), Rain

Glass Types

- 7/16" Laminated
- 3/4" Insulated Laminated

Glass Coatings

- Energy Efficient LoE Coatings

Standard Hardware

- Dual arm stainless steel roto operator and crank handle
- Stainless steel operator track
- Pair of stainless steel 4 bar concealed hinges
- Pair of Cam locks
- Pair of stainless steel lock keepers
- Snubber blocks
- Small operator on units less than 32", Large operator on units 32" or more

Standard Features

- Extruded screen frame with Super-View™ screen fiberglass mesh
- Extruded snap on glazing beads (in contoured ogee or contemporary square profiles)
- Stainless steel assembly screws and corner keys
- Double weatherstripping
- 1/2" exterior flange frame

Optional Items

- Limit opening devices
- Custodial type locks (for institutional use)
- Equal leg frame
- Collapsible cranks
- Extruded double applied raised profile 1" and 3 1/2" muntins (not applicable with insulated glass)
- Muntin grids inside insulated glass (GBGs)



SIZE LIMITATIONS (In inches)

Minimum	Size	Maximum	Size
Minimum Width	18	Maximum Width	72
Minimum Height	17	Maximum Height	72

Use of small arm operator will limit window opening (ventilation) to 2 3/4". Use of large arm operator will limit window opening (ventilation) to 8"

MODULAR SIZES (In inches)

20 x 24	24 x 24	28 x 24	30 x 24	32 x 24	36 x 24	40 x 24	42 x 24	48 x 24	54 x 24	60 x 24	66 x 24	72 x 24
20 x 30	24 x 30	28 x 30	30 x 30	32 x 30	36 x 30	40 x 30	42 x 30	48 x 30	54 x 30	60 x 30	66 x 30	72 x 30
20 x 36	24 x 36	28 x 36	30 x 36	32 x 36	36 x 36	40 x 36	42 x 36	48 x 36	54 x 36	60 x 36		
20 x 42	24 x 42	28 x 42	30 x 42	32 x 42	36 x 42	40 x 42	42 x 42	48 x 42	54 x 42			
20 x 48	24 x 48	28 x 48	30 x 48	32 x 48	36 x 48	40 x 48	42 x 48	48 x 48				
20 x 54	24 x 54	28 x 54	30 x 54	32 x 54	36 x 54	40 x 54	42 x 54					
20 x 60	24 x 60	28 x 60	30 x 60	32 x 60	36 x 60							
20 x 66	24 x 66	28 x 66	30 x 66	32 x 66								
20 x 72	24 x 72	28 x 72	30 x 72	32 x 72								

All window dimensions shown are tip to tip of exterior 1/2" flange on frame.
Do not use Project Out windows where Egress (Emergency Escape) is required.

COMMODITY SIZES (In inches)

19 1/8 x 17	26 1/2 x 17	37 x 17	53 1/8 x 17
19 1/8 x 26	26 1/2 x 26	37 x 26	53 1/8 x 26
19 1/8 x 38 3/8	26 1/2 x 38 3/8	37 x 38 3/8	53 1/8 x 38 3/8
19 1/8 x 50 5/8	26 1/2 x 50 5/8	37 x 50 5/8	
19 1/8 x 63	26 1/2 x 63	37 x 63	
19 1/8 x 72	26 1/2 x 72		

PERFORMANCE RESULTS

Maximum Water Resistance		16.5 PSF
Large Missile Laminated Glass	53 1/8" x 26" Window (Ann/Ann Glass) 54" x 24" Window (Ann/Ann Glass) 53 1/8" x 26" Window (HS/HS Glass) 54" x 24" window (HS/HS Glass)	+110 /-195 PSF +110 /-195 PSF +110 /-120 PSF +110 /-195 PSF
Large Missile Insulated Laminated Glass	53 1/8" x 26" Window (Ann-Air-Ann/Ann Glass) 54" x 24" Window (Ann-Air-Ann/Ann Glass) 53 1/8" x 26" Window (Temp-Air-Temp/Temp Glass) 54" x 24" Window (Temp-Air-Temp/Temp Glass)	+101.30 /-120 PSF +107.9 /-107.9 PSF +110 /-120 PSF +110 /-195 PSF
Forced Entry Test (AAMA 1302.5)		Passed

* Performance values for small missile are also available.

ENERGY VALUES (NFRC Approved)

238 Project Out	U-Factor	SHGC	VT
7/16" Laminated Gray	1.05	0.40	0.33
7/16" Laminated Clear	1.05	0.51	0.58
7/16" Laminated Clear LoE 366	1.06	0.26	0.40
3/4" Insulated Laminated Clear LoE 366	0.63	0.21	0.42
3/4" Insulated Laminated Clear LoE 270	0.63	0.27	0.46