

The possibilities are endless...



Our Horizontal Rolling WinDows feature an elegant traditional styling with 21st-century technology built in for..

**Comfort
Protection
& Convenience.**

The Perfect WinDow Concept for Residential or Commercial Projects...

Homes - Condos
High-Rise Buildings
Schools - Hospitals
Apartments.

The Series 4070 Aluminum Horizontal Rolling WinDow will add spaciousness to your home. Sashes glide smoothly on a specially designed rolling track and are removable from inside the home, making cleaning a breeze. Our Horizontal Rolling WinDow can also provide the convenience of a pass-through from the prep area in the kitchen to the outdoor entertainment area. Screens are always available



Our Horizontal Rolling WinDow consist of one or more horizontal sash in a frame with the option of combining fixed windows on a variety of Configurations. Dual-slides offer window cleaning from the inside without removing the sash.

Impact / Security & Non-Impact Tested

Aluminum Horizontal Rolling WinDow

BIG Max Sizes: 74" x 64" (XO or OX)
or 112" x 64" XOX (Equal Vent 1/4 - 1/2 - 1/4)

Design Pressures

Reinforced up to +90 / - 150 (74" High)

Non-Reinforced +90 / - 90 (64" high)

Water Performance 13.5 psf



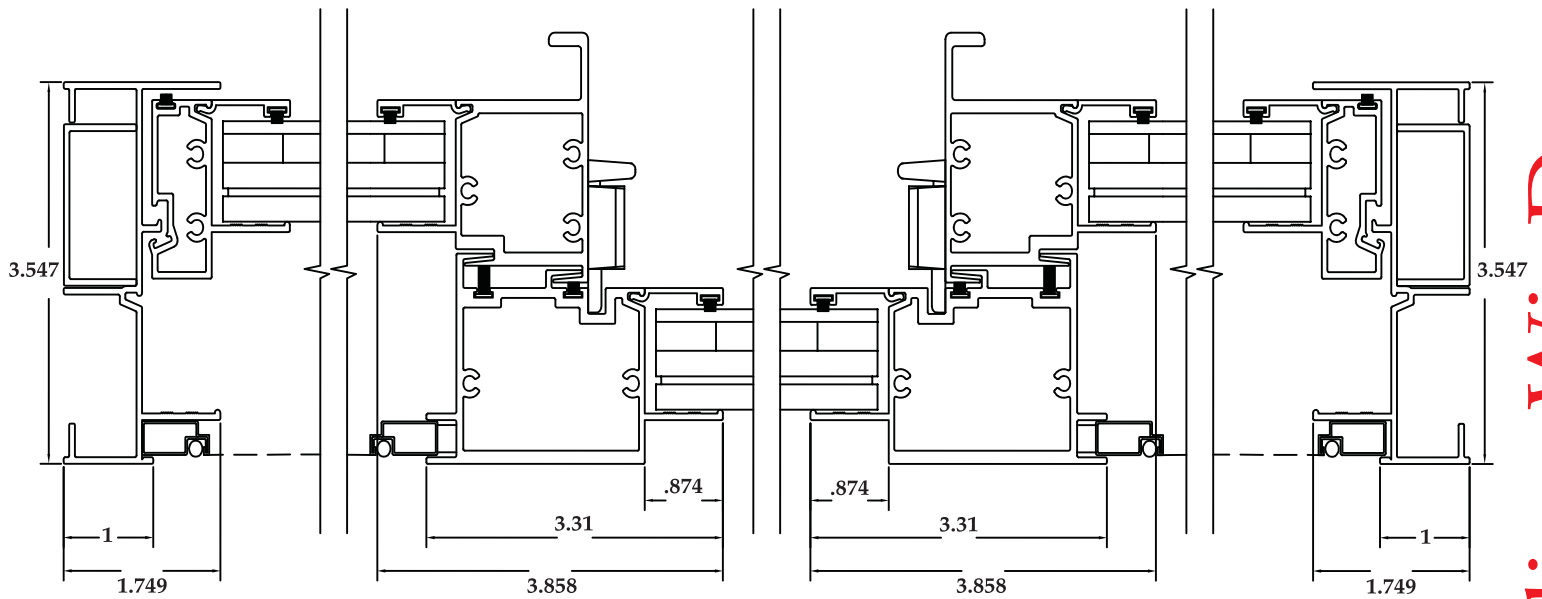
MADE IN AMERICA

www.WinDoorInc.com

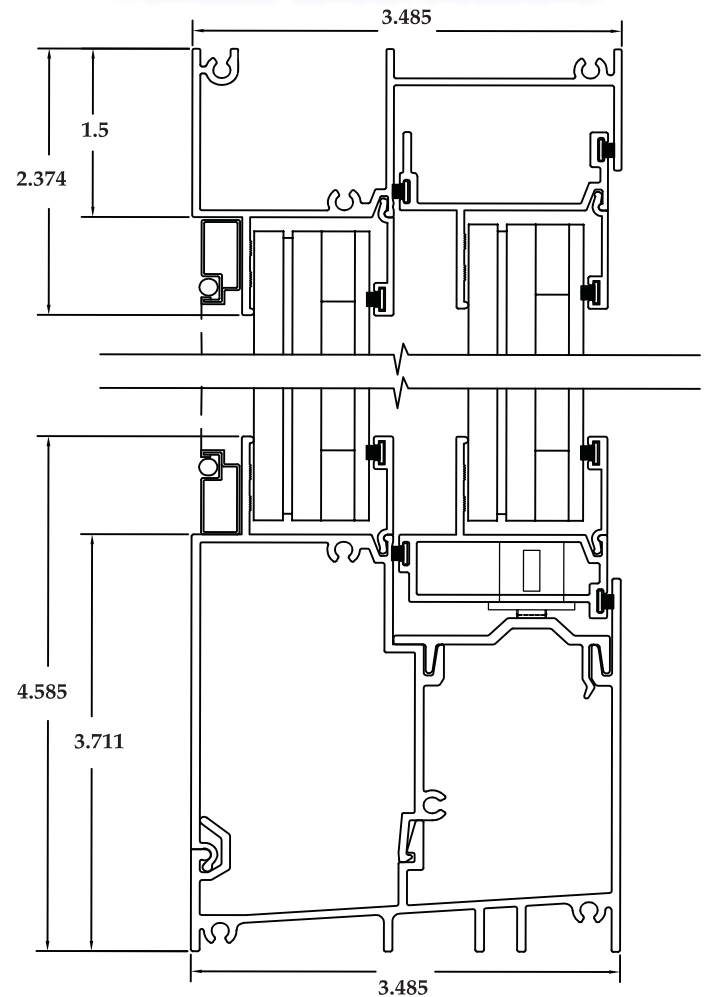
See other side for more details

Perfect for high-rise capabilities or suitable for the private residential application.

Horizontal Cross Sections



Vertical Cross Sections



Features:

- Dual weather-stripping virtually eliminates drafts for a more energy efficient home.
- Durable rollers and a specially designed rolling track help make opening and closing these WinDows easy.
- Cam action locks and keepers draw both sash together for a tighter seal
- Water Performance ASTM E547 = 13.5 psf
- Air Infiltration Performance ASTM E283 = 1.62 - .024 cfm & 6.24 - .121 cfm
- Fusion-welded frame and sash create strong, weather-tight corners
- Frame Size 3 1/2"
- Frame Options
Flush - 1/2" Front Flang & 1 1/2" Fin
- Available Colors:
Standard Colors - White & Bronze
Two Tone Offerings (White / Bronze)
Or you may choose a Custom Color Match
Or even our Woodgrain options.

Tested Tuff...

