



Architectural Products

STOREFRONT
WINDOW WALL

SLIMFRONT
WINDOW WALL

STOREFRONT ENTRY DOOR
& RESIDENTIAL ENTRY DOOR



STOREFRONT SS3500 WINDOW & SS3550 DOOR SYSTEM

ARCHITECTURAL PRODUCTS. BUILT TODAY FOR A BETTER TOMORROW.

Bringing together industry-leading solutions, CGI Commercial is committed to being a trusted partner with architects, engineers, glaziers, and dealers in the commercial market. We offer pre-glazed storefront window wall and door systems configured for some of the most demanding commercial and residential applications in the industry. CGI Commercial provides customers with personal services, product reliability, integrity, quality, and on-time delivery.



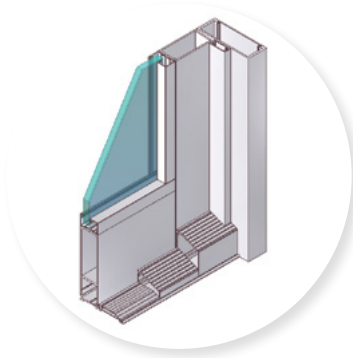
SS3500 STOREFRONT WINDOW WALL

- Glass
 - 9/16" Laminated
 - 1 3/16" Laminated insulating
 - High-performance low-E and tints
- Design pressures
 - Up to +90/-120, provide security, safety, and performance in wind-borne debris areas
- Narrow sight lines
 - 1.75" x 5", increases visibility without compromising structural integrity
- Glazing
 - Fully captured on all four sides
 - White, Bronze, or Clear Anodized finish options
 - Optional mill finish and custom colors
- Robust sizes
 - Up to 12' high
- External wet glaze
 - Creates an exterior barrier, reducing the worry of water infiltration. Unlike internally drained systems, water does not have an opening to enter.

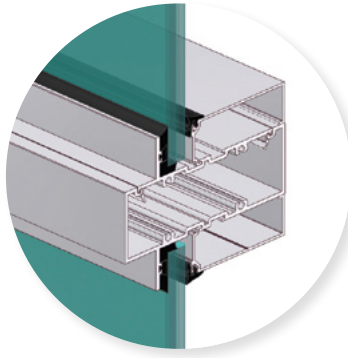


SS3550 STOREFRONT ENTRY DOOR

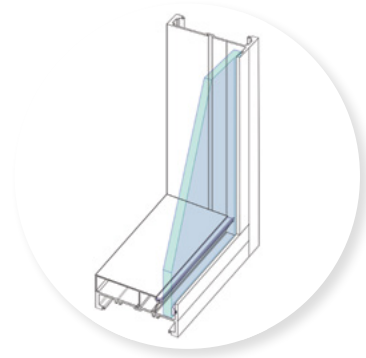
- Glass
 - 9/16" Laminated
 - 1 3/16" Laminated insulating
 - High-performance low-E and tints
- Design pressures
 - Up to +90/-120, provide security, safety, and performance in wind-borne debris areas
- Single and double doors
 - Max Door Sizes 48" x 120" or 96" x 120"
 - Outswing configurations
 - With optional transoms
- Standard three-point locking system
 - With two-point on inactive side
 - White, Bronze or Clear Anodized finishes available
 - Optional custom colors
- Designed to be used in tandem with the SS3500 and SS3520
- 10" Bottom Rail for ADA compliance
- Many available upgrade options, including panics, closers, and threshold choices



Storefront Door Detail



Storefront Window Detail



SlimFront Corner Detail

Both the SS3500 and the SS3520 SlimFront window wall systems are designed specifically to be used in tandem with the SE3550 Entry Door.



STOREFRONT SS3500 WINDOW & SS3550 DOOR SYSTEM

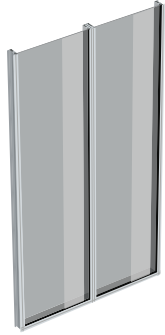
STRENGTH. ON YOUR SIDE.

The SlimFront impact-resistant storefront window wall system was designed specifically for high-design-pressure applications. With sizes up to 4'x15', this astonishing storefront window wall solution is ready for anything without losing an inch of greatness.

Engineered with flexibility in mind, this storefront window wall system not only incorporates various glass options and panel configurations; it easily integrates with our SE 3550 Storefront Entry Door system and includes a wet seal system developed to provide ultimate protection from the elements.



SS3520 SLIMFRONT WINDOW WALL



SS3520 SLIMFRONT WINDOW WALL

- Glass
 - 9/16" Laminated
 - 1 3/16" Laminated insulating
 - High-performance low-E and tints
- Design pressures
 - Up to +90/-120, provide security, safety, and performance in wind-borne debris areas
- Narrow sight lines
 - 1" x 5" System with slim sight lines
- Robust sizes
 - Up to 15' high
- External wet glaze
 - Creates an exterior barrier
- Inside Glazed
- Glazing
 - Fully captured on all four sides, 2-part silicone DOW 983
 - White, Bronze, or Clear Anodized finish options
 - Optional mill finish and custom colors
- No Jamb Anchor required

PANEL SIZE	GLASS	FRAME TYPE	DP RATING
48" x 90 3/4"	9/16" HS PVB or 1/4" LIG	5" Unreinforced	+70/-80 psf
48" x 120"	9/16" HS SG or 1/4" LIG	5" Steel Reinforced	+90/-120 psf
60" x 120"	9/16" HS SG or 1/4" LIG	5" Steel Reinforced	+90/-100 psf
48" x 144"	9/16" HS SG or 1/4" LIG	5" Steel Reinforced	+61.5/-68.3 psf
60" x 144"	9/16" HS SG or 1/4" LIG	7" HD Unreinforced	+60/-60 psf
48" x 180"	9/16" HS SG or 1/4" LIG	7" HD Steel Reinforced	+60/-60 psf

	WIDTH	HEIGHT
MINIMUM SIZES		
Storefront panel system	14 1/2"	14 1/2"
MAXIMUM SIZES		
Storefront panel system unreinforced	48"	97 3/4"
Storefront panel system steel reinforced	60" 48"	120" 144"
Storefront HD panel system unreinforced	60"	144"
Storefront HD panel system reinforced	48"	180"

[Refer to certification document for performance requirements and options]

OTHER STANDARD FEATURES

- 6063-T6 aluminum alloy
- 1"x5" frame member
- 1"x7" HD frame member
- HD panel system unreinforced
- Stainless-steel assembly screws
- FBC Certification

OPTIONS

- Custom frame colors
- White interlayer
- Clear/various tint options
- Low-E coatings
- Argon Gas



INVENT. BUILD. DELIVER.

A national manufacturer of premium windows and doors whose technically advanced products can withstand some of the toughest weather conditions on earth and are revolutionizing the way people live by unifying indoor and outdoor living spaces.

THE PGT INNOVATIONS FAMILY OF BRANDS



Impact Resistant
Windows & Doors
WE'RE STRONGER™



CUSTOM WINDOWS + DOORS

WinDoor®

HIGH PERFORMANCE DOORS & WINDOWS



western
window systems

eze//
breeze®
EZE PORCH. EZE LIVING.

CGIC

Architectural Products