



EURO VISTA MULTI SLIDE™

IMPACT RATED MULTI SLIDE DOOR



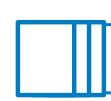
Approved for use in Miami-Dade HVHZ Zones
Florida Building Code Approved
Product Approval FL 34003

www.euro-wall.com
888.989.EURO (3876)

euro-wall®



FOLDING



SLIDING



STACKING



PIVOT

Unlike any other impact rated multi slide door on the market.

The Euro Vista Multi Slide™ is unlike any other impact rated multi slide door. The panel interlock, at less than 1", is the slimmest sight line profile available providing the largest views and the maximum panel to glass ratios. Impact panels can span up to 98 sq ft with heights up to 14' and widths up to 7' all while maintaining an impact rating for inclement weather areas. These massive panels glide open and close effortlessly thanks to the patented EZ Glide™ roller system. The sill can be embedded flush with the finish floor and can meet water ratings without the need of a sill riser. The Euro Vista Multi Slide™ is a truly unique sliding door system and provides consumer benefits that cannot be found anywhere else.

*Less than 1" Interlock
Sight Line Profile*

Impact Rated

Panels up to 98 sq ft

Panel Heights up to 14'

Panel Widths up to 7'

*Flush Embedded
Water Rated Sill*

SYSTEM THRESHOLDS

Maximum / Minimum Specifications

Max Panel Weight:	800 lbs / panel
Min Panel Width:	24"
Max Panel Width:	84"
Min Panel Height:	32"
Max Panel Height:	168"
Panel Thickness:	1 3/4"
Max # of Panels:	8

NOTE: When using maximum panel widths & heights, panels may exceed maximum panel weight of 800 lbs. Calculated weight check should be done. For installations in Florida, please see the Florida Product Approval for usage and limitations.

SYSTEM HIGHLIGHTS

Thinnest Profile on the Market

Interlocking panels have a sight line profile width of less than 1" providing the largest uninterrupted view available from any impact rated multi slide on the market

Water Rated Flush Sill - No Sill Riser

Flush track with finished floor - enjoy the security of a HVHZ water rating without 2", 3" or 4" risers

Up to 8 Panels with Pocket Option

Up to 8 panels in any direction - pockets approved with all configurations

Extrusions

Extruded aluminum 6063-T5 with door panel corner keys provide industry leading strength and security

Handle Hardware

Stainless steel components with corrosion resistant material - salt spray tested 500 hours

Value Engineered

Value engineered to offer the highest quality with reasonable pricing

Largest Impact Rated Panel Sizes

Enjoy large uninterrupted views with up to 98 sq ft Florida Product Approved panels (up to 14' heights and 7' widths)

Aesthetics

Wood cladding option available

FL 27423

Tested for use in Miami-Dade and Florida HVHZ Zones

Long Lasting Finish

Standard finish coating is AAMA 2605, the highest quality finish available

Thermal Requirements

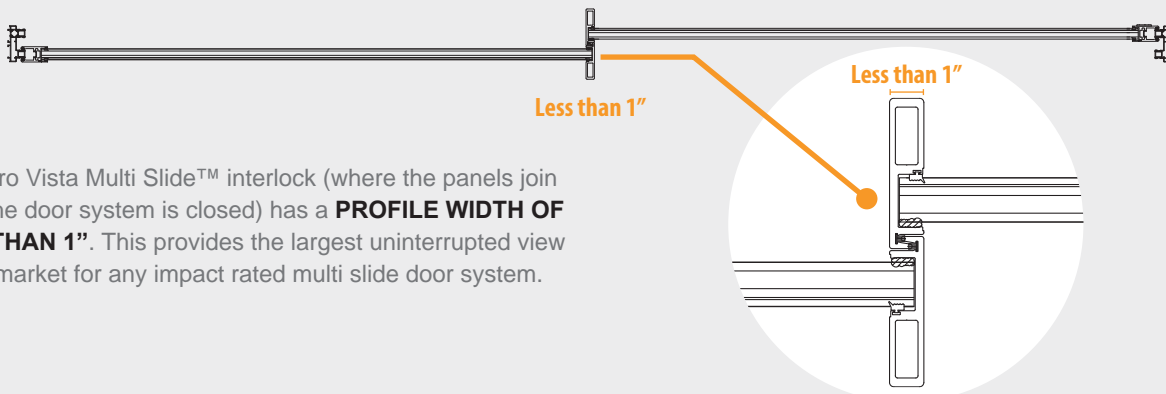
Tested for thermal requirements for both residential and commercial usage

Easy Operation

The EZ Glide™ Roller System and anti-slam hardware makes the Euro Vista Multi Slide™ safe and effortless to operate

LESS THAN 1" SIGHT LINE PROFILE

Top Down Cross Section View



The Euro Vista Multi Slide™ interlock (where the panels join when the door system is closed) has a **PROFILE WIDTH OF LESS THAN 1"**. This provides the largest uninterrupted view on the market for any impact rated multi slide door system.

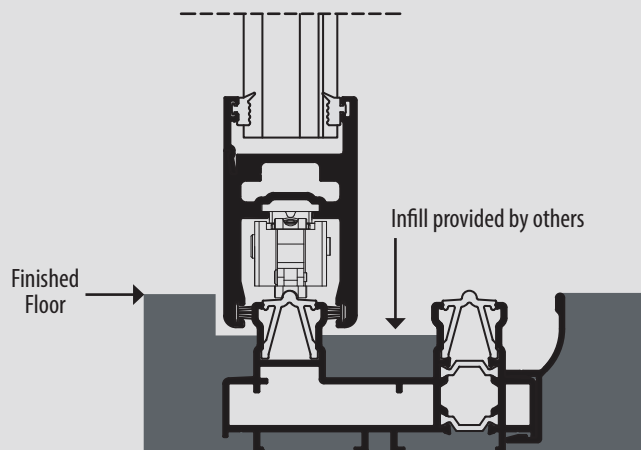


EMBEDDED TRACK DETAILS

The Euro Vista Multi Slide™ sill/track can be **fully embedded** or embedded with a **low profile** configuration. The hidden track option allows optimal threshold clearance and creates a clean seamless interior / exterior sight line.

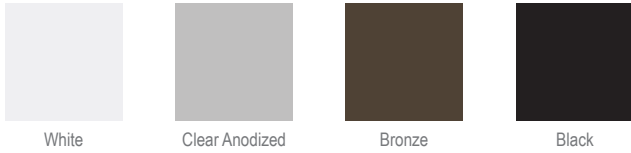
For weather challenged climates, the flush and low profile hidden track systems can be manufactured to meet water rating specifications without a sill riser. Additionally, Euro-Wall EXCLUSIVELY manufactures a water rated hidden flush sill.

EMBEDDED SILL & PANEL CROSS SECTION DETAIL



PANEL FINISH OPTIONS

STANDARD FRAME & DOOR PANEL FINISHES



White

Clear Anodized

Bronze

Black

STANDARD FRAME & DOOR PANEL FINISHES

- Powder coat or Kynar® finishes available
- Custom powder coat or Kynar® finishes available
- Manufacturer color match options
- Custom wood grain finishes available

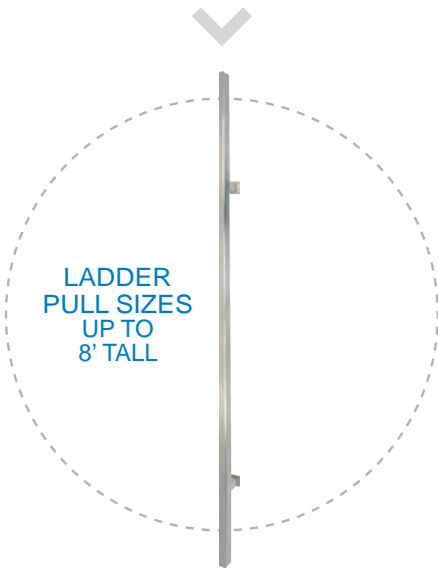
INTERIOR WOOD CLAD FINISH OPTION

- Mahogany / sapele
- White oak
- Additional wood species available



HARDWARE / HANDLE FINISH OPTIONS

LADDER PULL

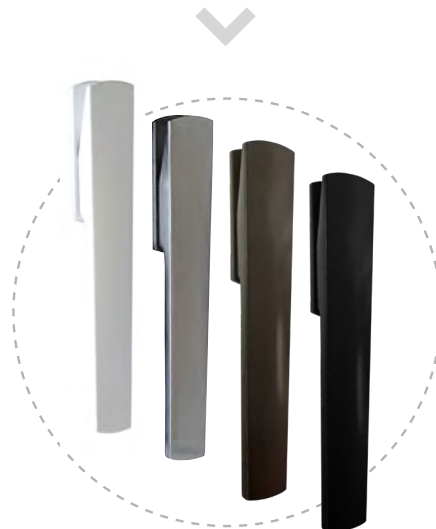


LADDER PULL SIZES UP TO 8' TALL

Available Finishes

- Brushed Satin**
- Polished Stainless Steel**
- White**
- Bronze**
- Black**
- Custom Colors Available*

LOCKING LEVER



Available Finishes

- Brushed Satin**
- White**
- Bronze**
- Black**
- Custom Colors Available*

SILL / TRACK



Available Finishes

- Clear Anodized**
- White**
- Bronze**
- Black**
- Custom Colors Available*

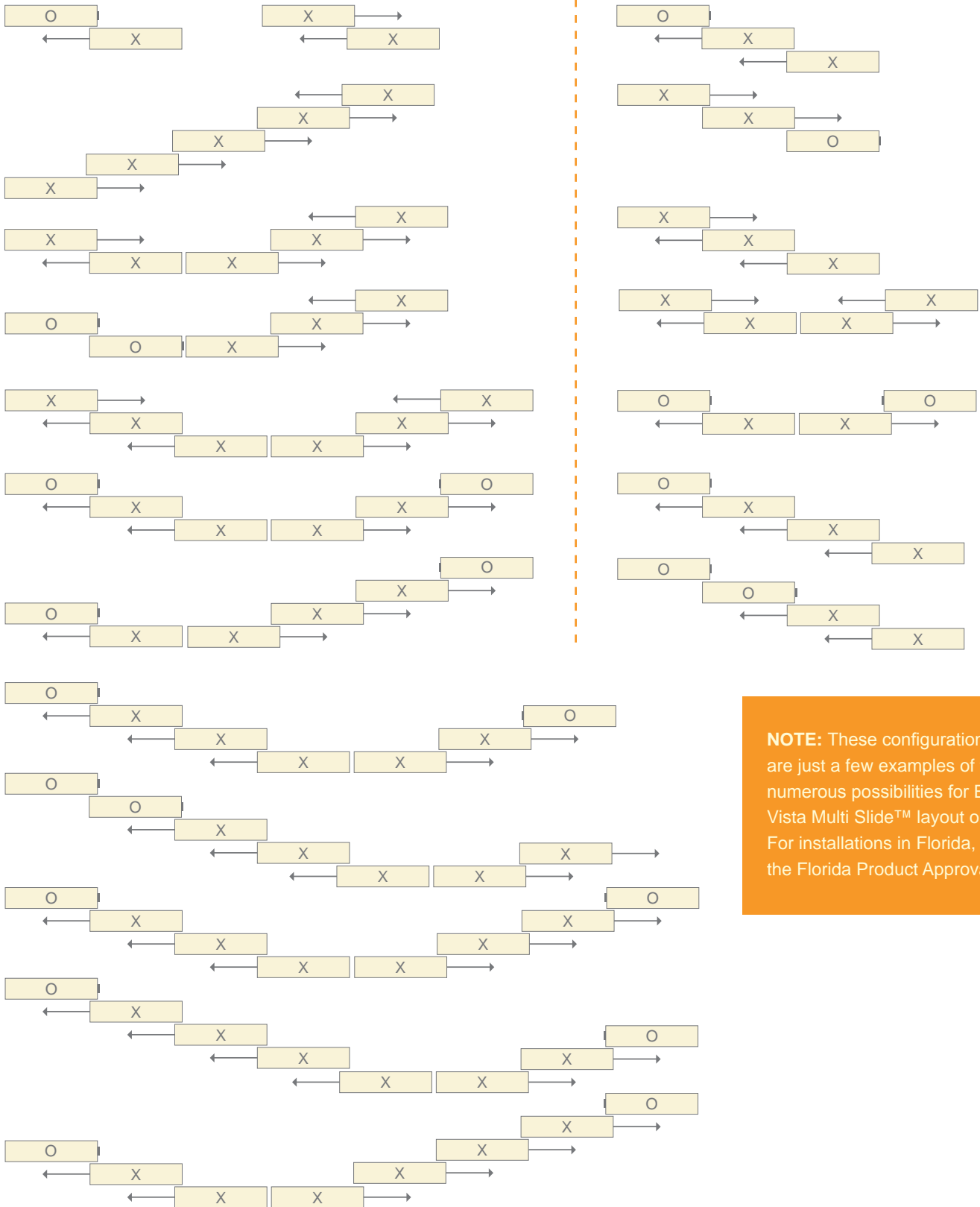
GLAZING OPTIONS

- Impact Insulated Glass
- Monolithic Impact Glass

SUPERIOR BY DESIGN

CONFIGURATION SAMPLES

O = FIXED PANEL X = ACTIVE PANEL



NOTE: These configurations are just a few examples of the numerous possibilities for Euro Vista Multi Slide™ layout options. For installations in Florida, see the Florida Product Approval.

TEST PERFORMANCES

- Approved for use in Miami-Dade HVHZ Zone
- Florida Building Code Approved Product Approval FL 34003
- AAMA 440 - PASS
- ASTM E1300 - PASS
- NAFS - 08 - PASS
- WDMA/CSA101 - PASS
- Up to DP120
- Tested for use in Florida
- Impact 1886 & 1996
- TAS 201, 202, 203 (Miami Dade)

DESIGN PRESSURE CHART

HVHZ

Panel Width (Inches)

	45	48	51	54	57	60	63	66	69	72	75	78	81	84
92	120	120	120	120	120	120	120	120	120	120	120	120	115	114
96	120	120	120	120	120	120	120	120	120	120	120	108	107	106
100	120	120	120	120	120	120	120	120	120	120	103	101	100	99
104	120	120	120	120	120	120	120	120	120	98	96	95	94	
108	120	120	120	120	120	120	120	120	94.4	92.4	90.6	89		
112	120	120	120	120	120	120	120	91.8	89.5	87.5	85.7			
116	120	120	120	120	120	120	89.9	87.4	85.1	83.1				
120	120	120	120	120	120	120	85.9	83.4	81.2	79.2				
124	120	120	120	117.8	112.6	84.9	82.2	79.7	77.5					
128	120	118.1	112	106.6	84.4	81.4	78.8	76.4						
132	113.7	107.3	101.7	96.8	81.2	78.2	75.6							
136	103.7	97.8	92.7	81.3	78.1	75.3	72.7							
140	94.8	89.4	84.7	78.5	75.3	72.5								
144	87.6	83.1	79.2	75.8	72.7	70								

WZ3

Panel Width (Inches)

	45	48	51	54	57	60	63	66	69	72	75	78	81	84
90	120	120	120	120	120	120	120	120	120	120	120	120	120	119
96	120	120	120	120	120	120	120	120	120	120	120	108	107	106
102	120	120	120	120	120	120	120	120	120	101	99	98	97	95
108	120	120	120	120	120	120	120	120	95	93	91	89		
114	120	120	120	120	120	120	120	89.6	87.3	85.3	83.5			
120	120	120	120	120	120	120	85.9	83.4	81.2	79.2				
126	120	120	117.6	112	107.1	83.1	80.4	78						
132	113.7	107.3	101.7	96.8	81.2	78.2	75.6							
138	99.1	93.5	88.5	79.9	76.7	73.9								
144	87.6	83.1	79.2	75.8	72.7	70								
150	79.8	75.2	71.1	67.6	64.4									
156	70.7	66.6	63	59.8										
162	63	59.3	56.1											
168	56.4	53.1	50.2											



EURO-WALL 10 YEAR WARRANTY

Euro-Wall warrants the products to be free from manufacturing defects for a period of 10 years from the date of purchase.

888.989.EURO (3876)

www.euro-wall.com

euro-wall[®]

FOLDING | SLIDING | STACKING | PIVOT

MANUFACTURING

2200 Murphy Court
North Port, Florida 34289
888.989.3876 • 941.979.5316

SHOWROOM

1211 Stirling Road, Unit 102,
Dania Beach, Florida 33004
954.610.2572

Proud Member of the American Architectural Manufacturers Association.

