

PGT strengthens homes, again.

Protection. For all.

PGT® has long been on the forefront of protection. To better meet the needs of all of our customers, we are proud to offer Sparta Aluminum, our value-custom impact-resistant window and door line. Now you can be protected from the storm. Be impact-resistant. All at a price that makes it easier than ever.



QUALITY

We create exceptionally built doors and windows. No corners cut. Ever.



PASSION

We have a passion for our products, for our partnerships, and for protecting those who rely on our products.



WARRANTY PROTECTION

We're so confident in our product, we offer a limited but comprehensive warranty to protect your investment.

SPARTA ALUMINUM PRODUCT FEATURES

- Powder-coated white or bronze finish
- Monolithic laminated glass – clear, gray, bronze, obscure, high-performance energy coatings
- Stainless-steel assembly screws
- 2" frame depth
- 1/2" front flange
- Design pressures up to +55/-65 PSF
- Exterior glazed
- Easy to install
- Florida Product Approval-HVHZ
- Muntin types/configurations:
 - PGT® surface applied (low profile exterior and flat bar interior)
 - Standard patterns

SGD4130A Sliding Glass Door
PW4120A Picture Window

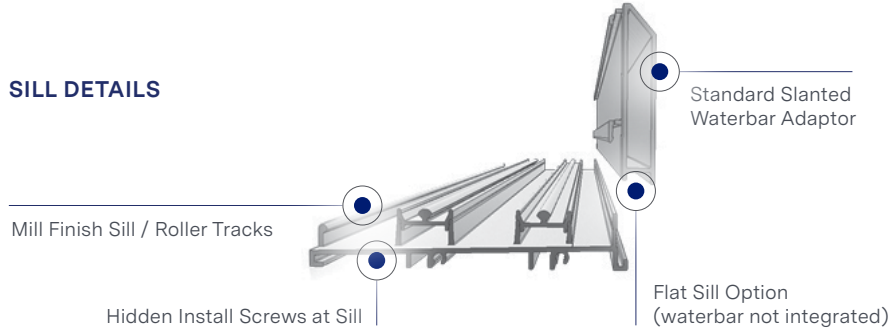
Sliding Glass Door

PRODUCT FEATURES

- Extruded screens
 - Aluminum extruded square bead
 - Design pressures: +55/-65
 - Max panel size: 4' x 8'
 - Nominal frame depth:
 - 2-track: 5"
 - 3-track: 7"
- 7/16" Laminated glass:
 - 3/16" Annealed – 0.090
PVB – 3/16" annealed
 - 3/16" Heat strengthened – 0.090
PVB – 3/16" heat strengthened



SILL DETAILS



Common Sizes

2P2T Configuration				
Size Codes	Width			
Height	48"	60"	72"	96"
80"	4068	5068	6068	8068
84"	4070	5070	6070	8070
96"	4080	5080	6080	8080

3P2T Configuration			
Size Codes	Width		
Height	91"	109"	145"
80"	7668	9068	12068
84"	7670	9070	12070
96"	7680	9080	12080

3P3T Configuration			
Size Codes	Width		
Height	87 11/16"	105 11/16"	141 11/16"
80"	7668	9068	12068
84"	7670	9070	12070
96"	7680	9080	12080

4P2T Configuration			
Size Codes	Width		
Height	118 5/8"	142 5/8"	190 5/8"
80"	10068	12068	15068
84"	10070	12070	15070
96"	10080	12080	15080

NFRC Certified Energy Values					Grids		
Laminated		U Factor	SHGC	VT	U Factor	SHGC	VT
7/16	Clear	1.05	.53	.61	1.05	.41	.46
7/16	Gray	1.05	.42	.34	1.05	.32	.26
7/16	Bronze	1.05	.44	.40	1.05	.34	.30
7/16	Obscured	1.05	.53	.61	1.05	.41	.46
7/16	Clear Energy Coating	1.05	.27	.43	1.05	.21	.33
7/16	Gray Energy Coating	1.05	.22	.25	1.05	.18	.19
7/16	Bronze Energy Coating	1.05	.23	.28	1.05	.18	.21