



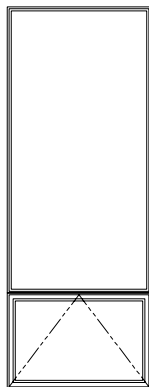
THERMALSTEEL

WINDOW CONFIGURATIONS

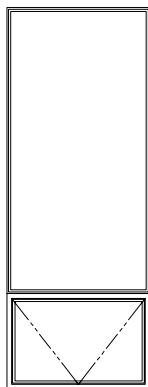


ELEVATIONS

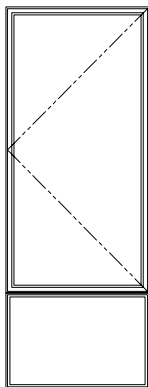
Other window configurations available.



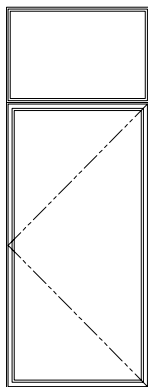
Fixed Over
Awning



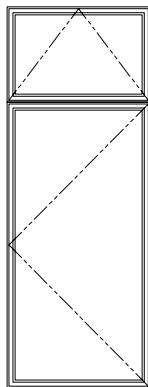
Fixed Over
Hopper



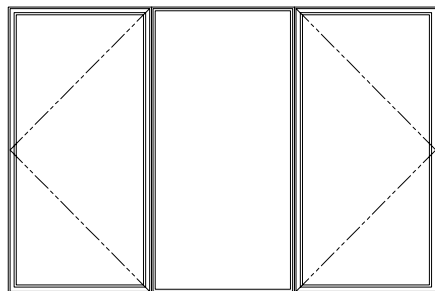
Casement
Over Fixed



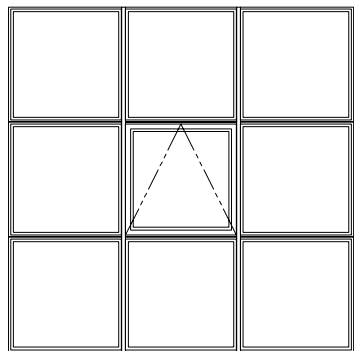
Fixed Over
Casement



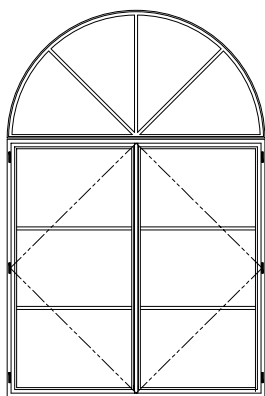
Awning
Over
Casement



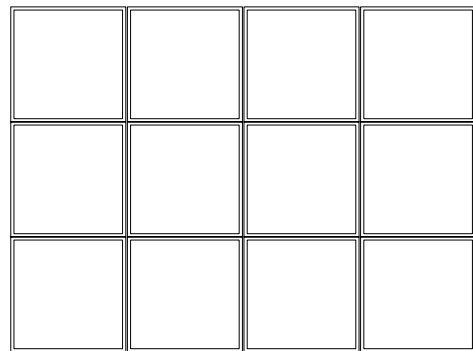
Left, Fixed, Right



Fixed/Operating
Window Wall



1/2 Round Transom
Over French Casement



Fixed Window Wall

THERMALSTEEL

FINISH

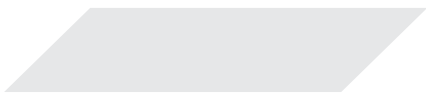




Arcadia Custom's Paint Systems is a multi-step process that combines optimum corrosion protection with the highest weatherability. Our paint process - combined with a stainless steel substrate - will out-perform all other finishes on mild steel. This durable acrylic polyurethane paint allows for unlimited color choices. Choose from any RAL, Metallic, or Exotic finish. Custom color match paint also available.



4



3



2



1

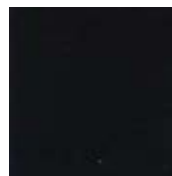


STANDARD PAINT OPTIONS

Textured or smooth paint surface available.



Sift Espresso (Texture)



Jet Black



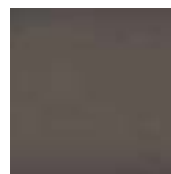
9011 Black



Atelier Dominique



Argento 305 Metallic



Statuary Bronze



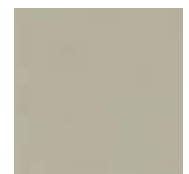
Black Bean Soup



Brick Red



Champagne 301 Metallic



Sandstone

THE PROCESS

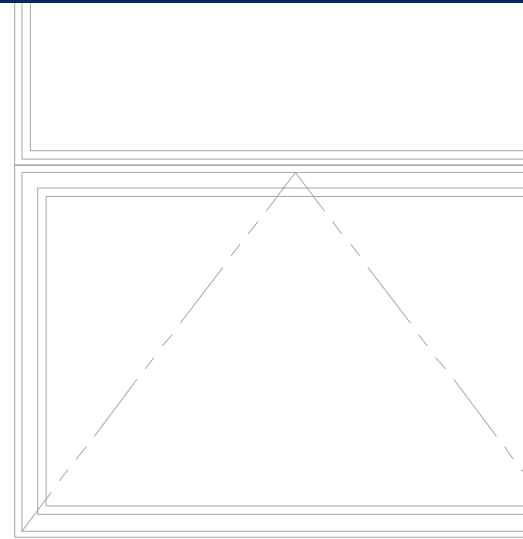
- 1: Stainless steel substrate is run through an abrasive blasting treatment producing an anchor bond for primer and paint adhesion
- 2: Acid etch primer coating
- 3: Epoxy primer coating
- 4: High-performance acrylic polyurethane paint coating

STAINLESS STEEL FINISH:

- Manufactured from 316 stainless alloy
- #4 brushed stainless surface

COR-TEN® STEEL FINISH:

- Manufactured from Cor-ten® steel
- Factory accelerated rust patina

**STAINLESS STEEL FINISH**

Sample Texture

COR-TEN® STEEL FINISH

Sample Texture

Living finish will continue to change in appearance, rust staining possible

THERMALSTEEL

WINDOW HARDWARE





FEATURES:

- Solid bronze hinges
- Solid bronze hardware trim available
- Stainless steel roto-crank arms for corrosion protection
- Several finish options available

WINDOW HINGE TYPE



Butt Hinge - Standard
(Solid Bronze)

*See finish options below.



Acorn Hinge - Optional
(Solid Bronze)

*See finish options below.



Concealed Friction Hinge
(Stainless Steel)

Available on Push-Out, Awning, and Hopper.
Weight limit 120lbs.

*** BRONZE HARDWARE FINISH OPTIONS**



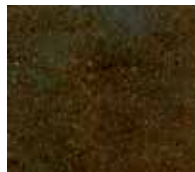
White Light



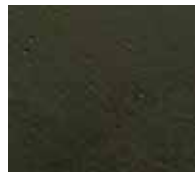
Medium Pewter



Silicon Light



Silicon Medium



Silicon Dark



Blackened
Bronze



Dark Pewter
Antique



Simplex - Single Point

Available on push-out, in-swing.
Two locks on windows over 48".
*See finish options previous page.



Black
(Standard)

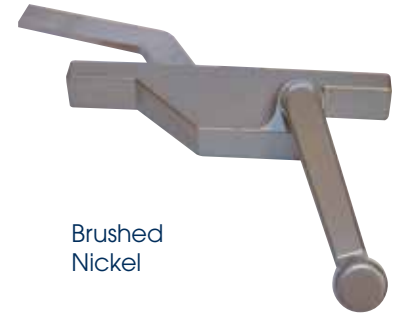
Brushed
Nickel

Multi-point Trim (Steel)

Black and nickel finish only.



Black
(Standard)



Brushed
Nickel

Crank-Out Operator (Steel)

Out-swing window only.
Black and nickel finish only.



Bronze Multi-point Sash T-Pull

Used with multi-point trim on
push-out window.
*See finish options previous page.



Bronze Multi-point Trim

*See finish options previous page.



Bronze Crank-Out Operator

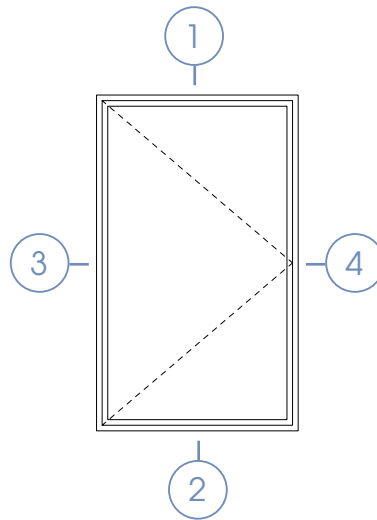
Out-swing casement window only,
(not available for awning windows).
*See finish options previous page.



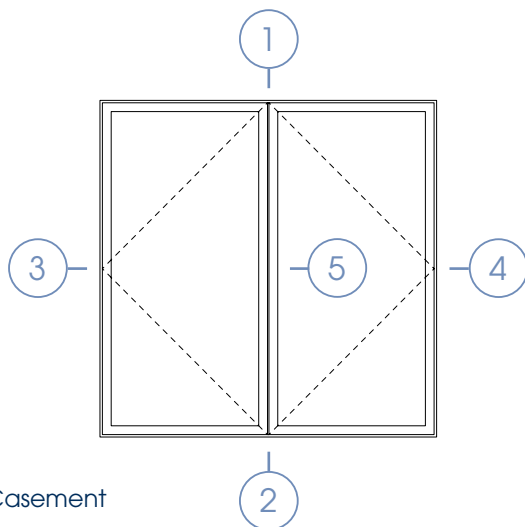
FEATURES:

- Out-swing or In-swing
- Roto-crank or push-out operation
- Removable fixed screens or roll-down screens available
- Sizes up to: 3'-6" width, 8' height

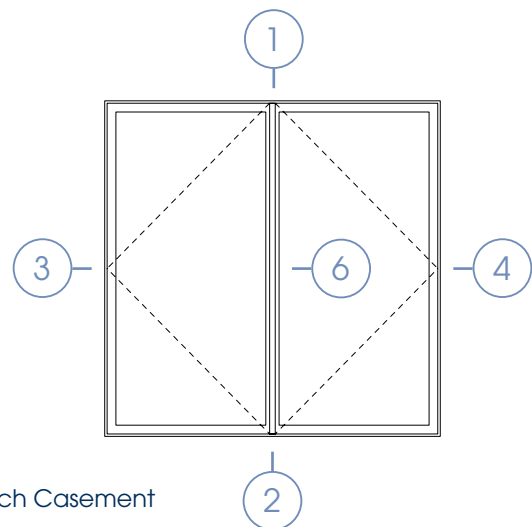
ELEVATIONS



Casement

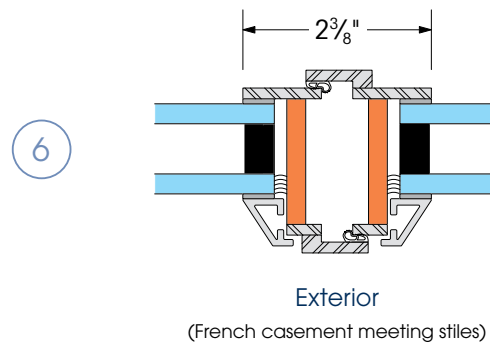
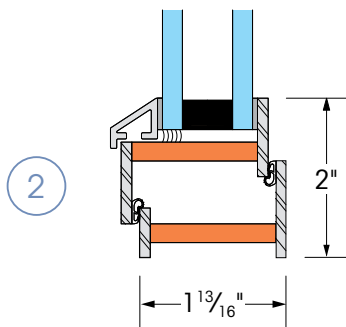
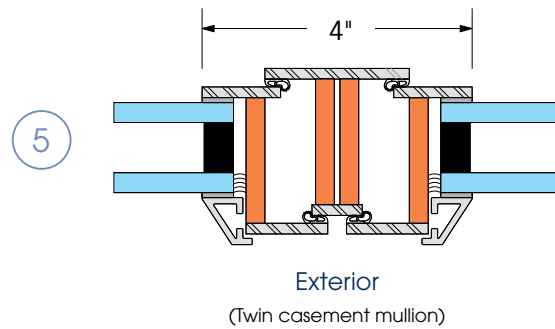
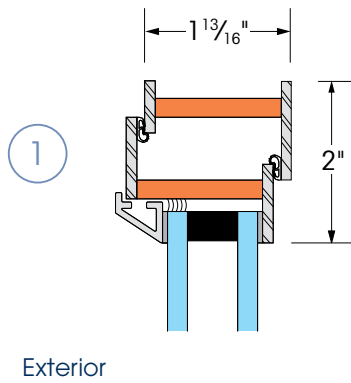
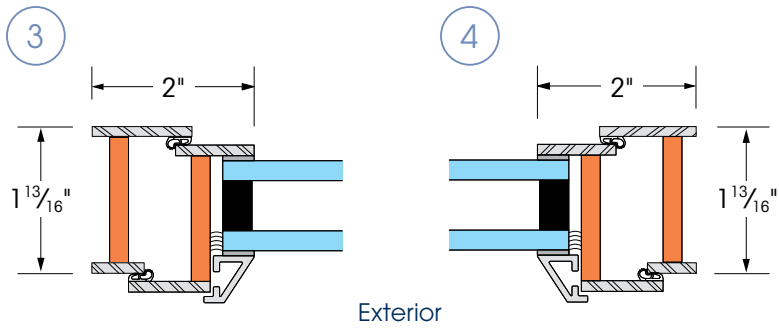


Twin Casement



French Casement

DETAILS



ANCHORING OPTIONS

