



THERMALSTEEL

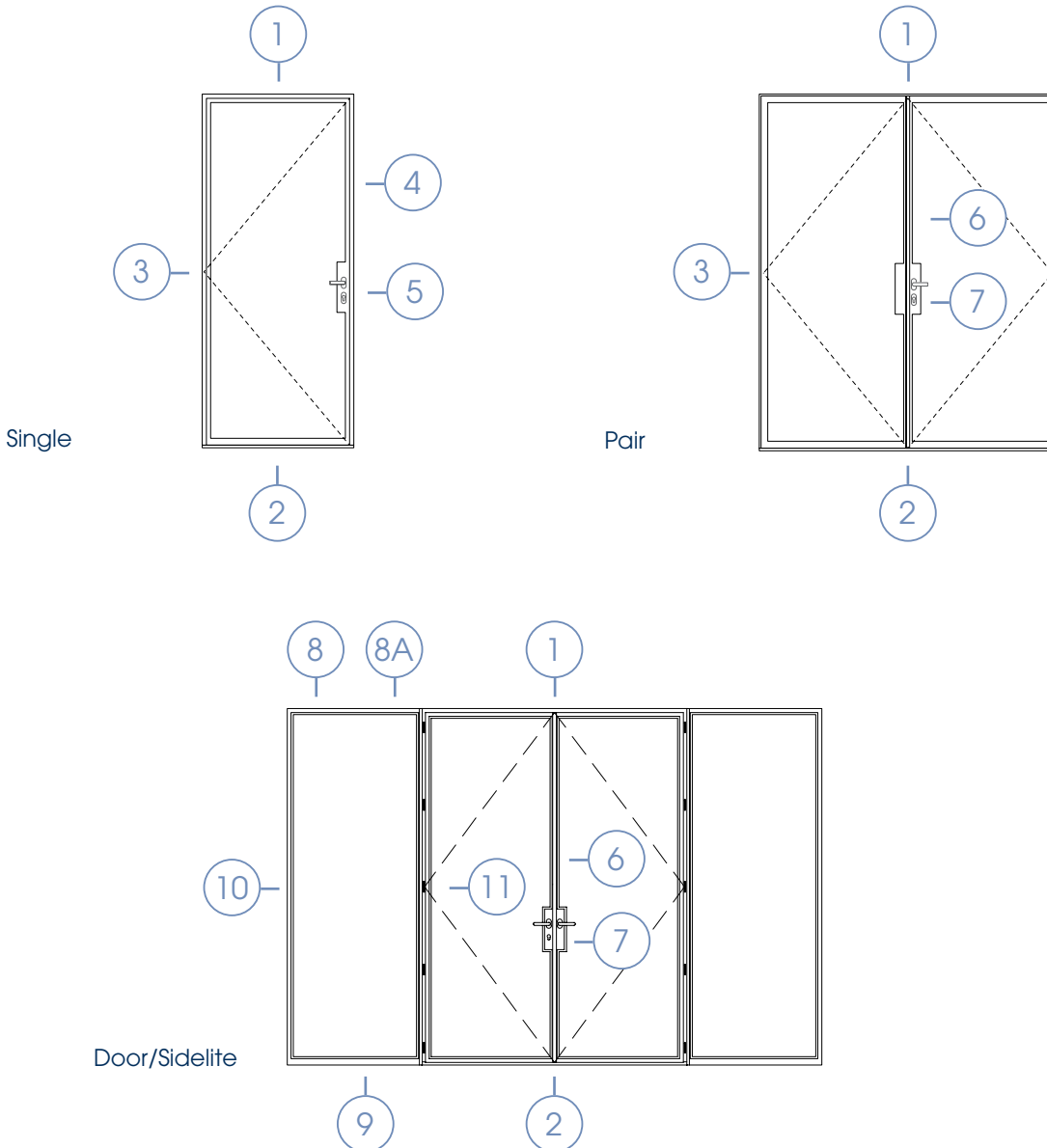
SWINGING DOOR SYSTEMS

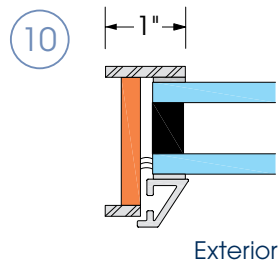
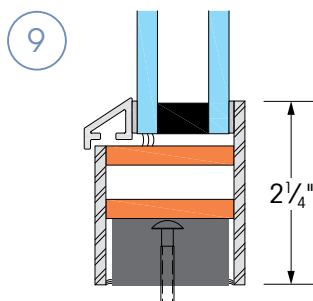
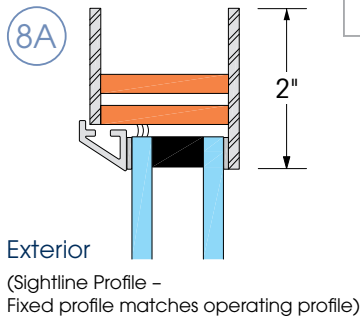
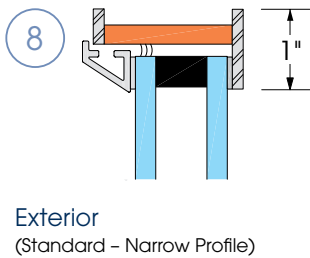
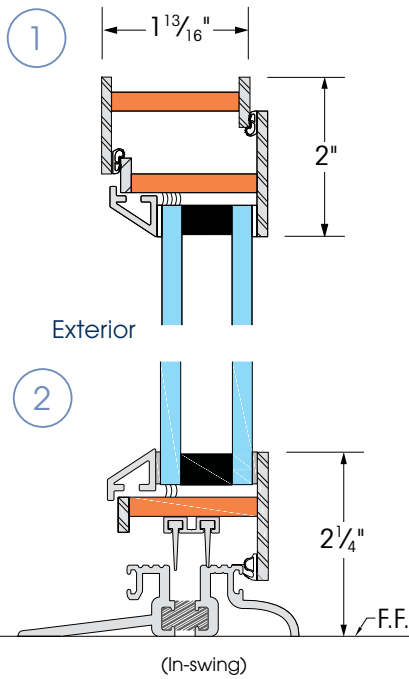
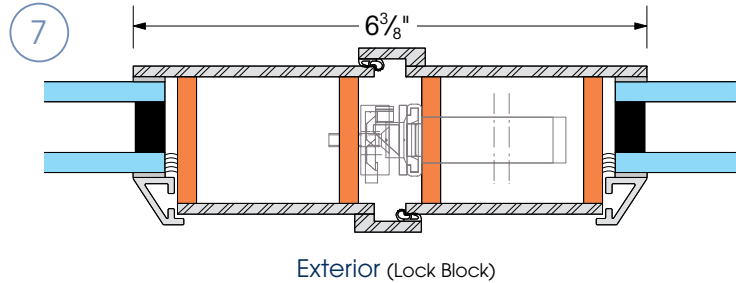
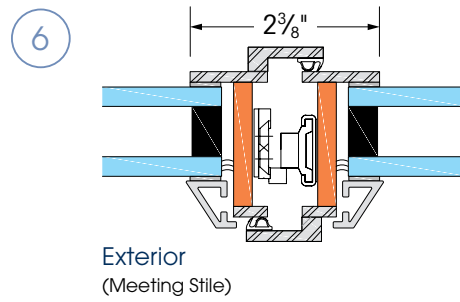
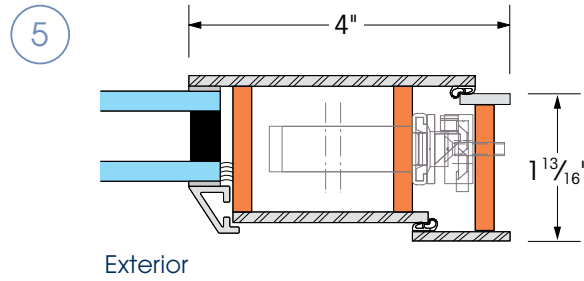
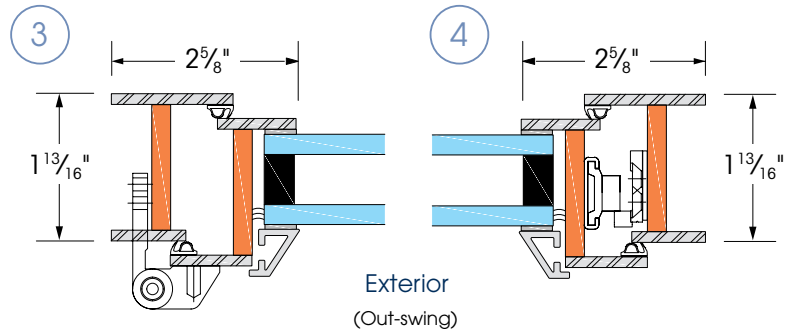


FEATURES:

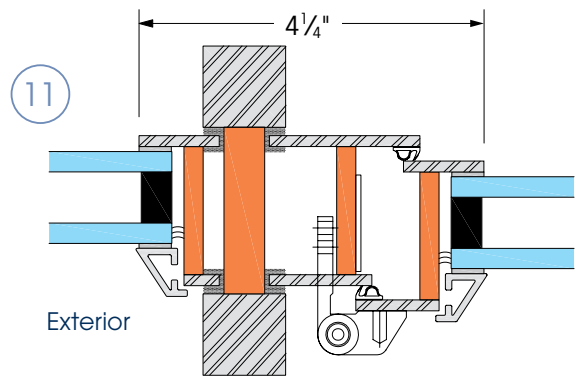
- In-swing or out-swing
- Multi-point Lock standard
- Lock-box options:
 - 12" standard
 - Stretched between muntins

ELEVATIONS

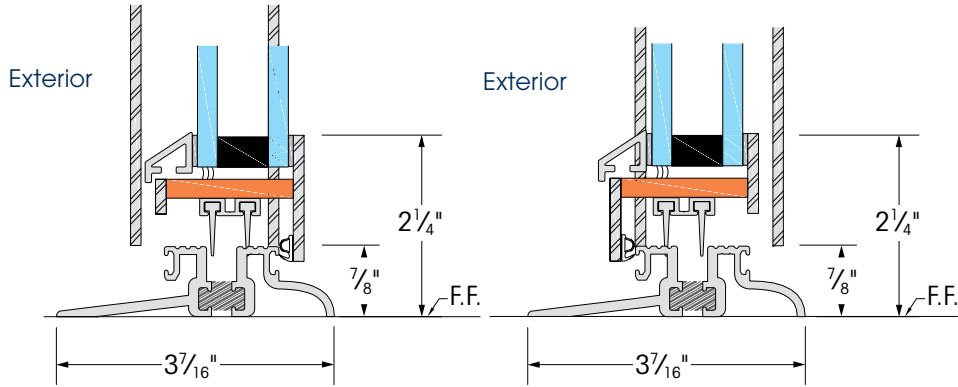




SIDELIGHT DETAILS



SILL OPTIONS

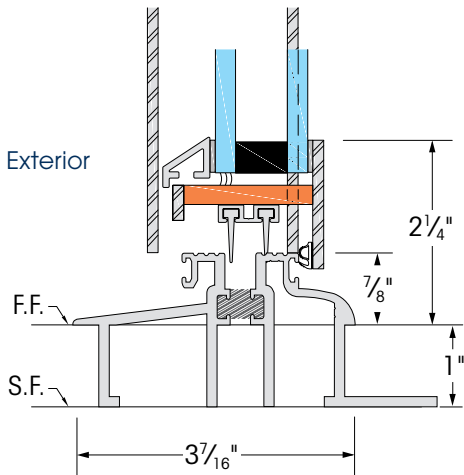


Aluminum In-Swing (standard)
Thermal Break

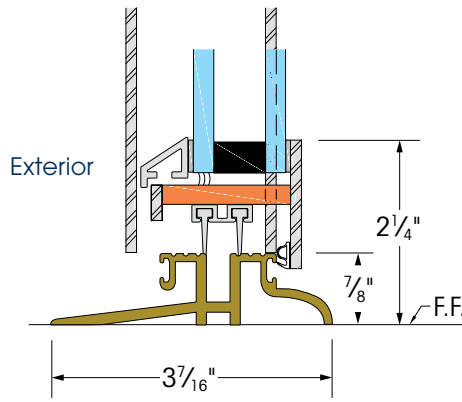
Aluminum Out-Swing (standard)
Thermal Break

FEATURES:

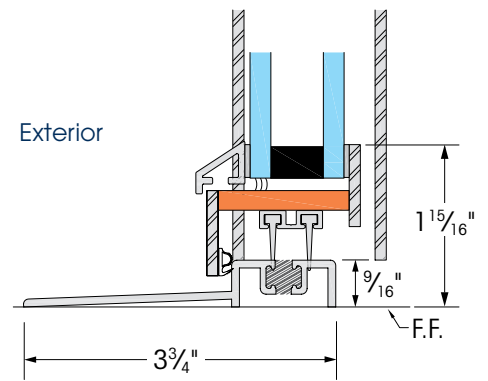
- Aluminum and solid bronze sills available
- Custom door bottom rail heights available
- Recessed flat door panels available



Subfloor Sill (In-Swing/Out-Swing)
Aluminum-Thermal Break

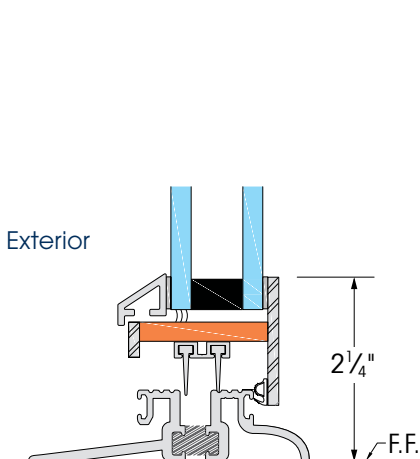


Solid Bronze (In-Swing/Out-Swing)
Non-Thermal Break

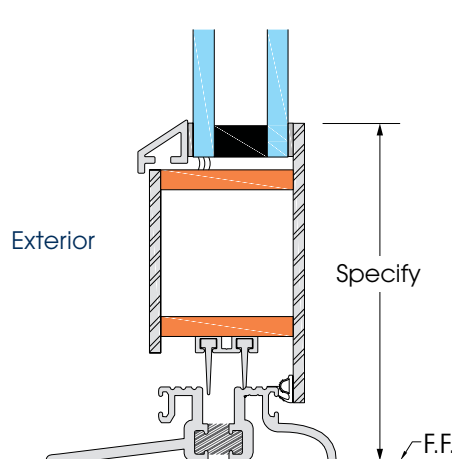


Low Profile Out-Swing
Aluminum-Thermal Break

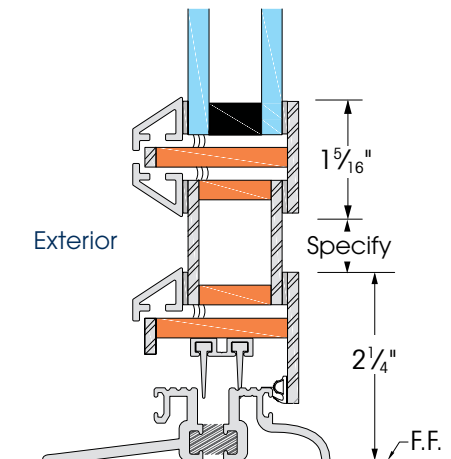
BOTTOM RAIL OPTIONS



Standard Bottom Rail



Variable Bottom Rail



Recessed Bottom Panel



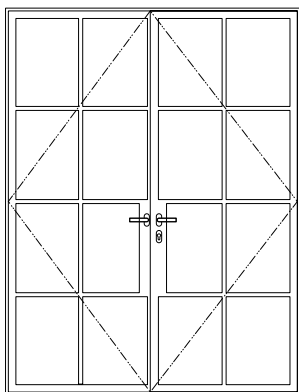
THERMALSTEEL

DOOR CONFIGURATIONS

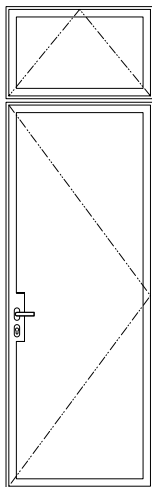


ELEVATIONS

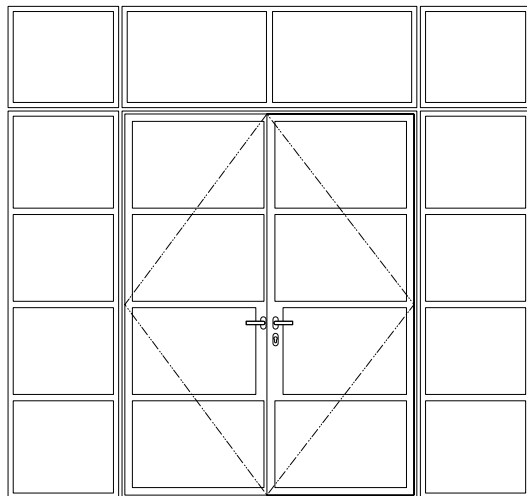
Other door configurations available.



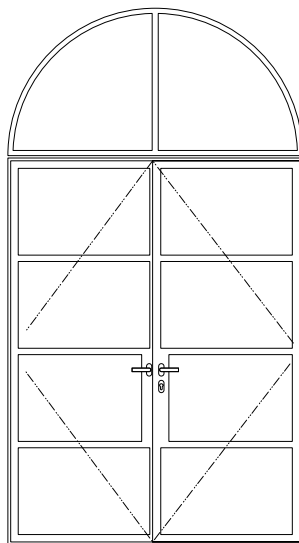
Pair



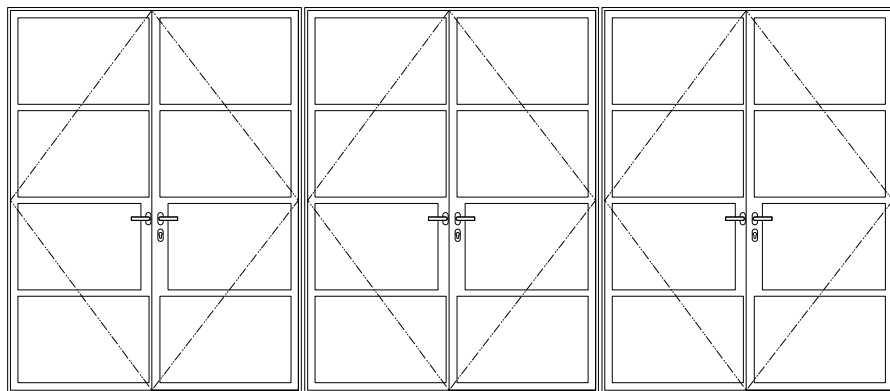
Awning Over Door



Sidelight/Transom Door System



1/2 Round Transom Over Pair



Mulled French Door System

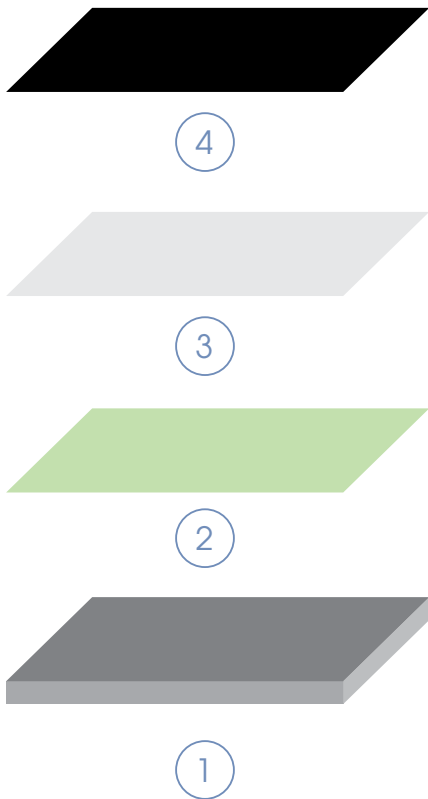
THERMALSTEEL

FINISH





Arcadia Custom's Paint Systems is a multi-step process that combines optimum corrosion protection with the highest weatherability. Our paint process - combined with a stainless steel substrate - will out-perform all other finishes on mild steel. This durable acrylic polyurethane paint allows for unlimited color choices. Choose from any RAL, Metallic, or Exotic finish. Custom color match paint also available.



STANDARD PAINT OPTIONS

Textured or smooth paint surface available.



Sift Espresso (Texture) Jet Black 9011 Black Atelier Dominique Argento 305 Metallic



Statuary Bronze Black Bean Soup Brick Red Champagne 301 Metallic Sandstone

THE PROCESS

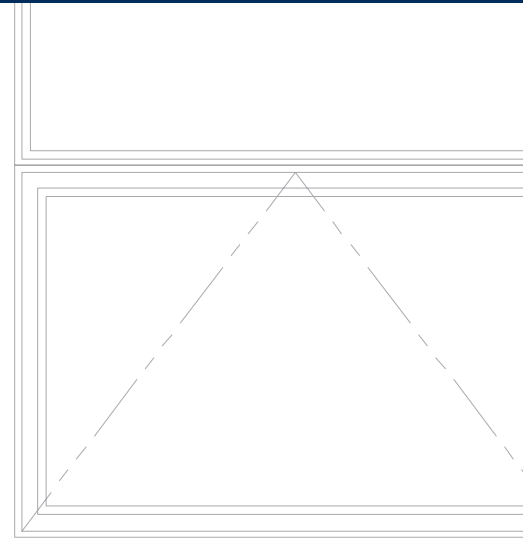
- 1: Stainless steel substrate is run through an abrasive blasting treatment producing an anchor bond for primer and paint adhesion
- 2: Acid etch primer coating
- 3: Epoxy primer coating
- 4: High-performance acrylic polyurethane paint coating

STAINLESS STEEL FINISH:

- Manufactured from 316 stainless alloy
- #4 brushed stainless surface

COR-TEN® STEEL FINISH:

- Manufactured from Cor-ten® steel
- Factory accelerated rust patina



STAINLESS STEEL FINISH



Sample Texture

COR-TEN® STEEL FINISH



Sample Texture

Living finish will continue to change in appearance, rust staining possible

THERMALSTEEL

DOOR HARDWARE





Escutcheon Details



Keyed Profile
Cylinder

Lever Escutcheon
& interior Thumb Turn

Bronze Door Levers

*See finish options on page 37.



#016 Handle



#164 Handle



#70 Handle



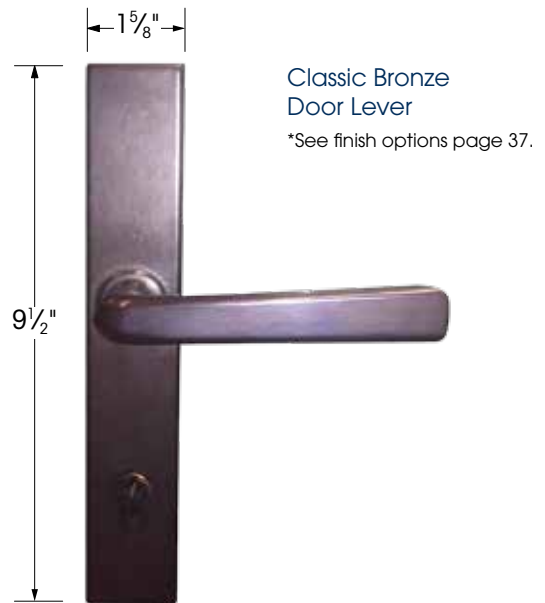
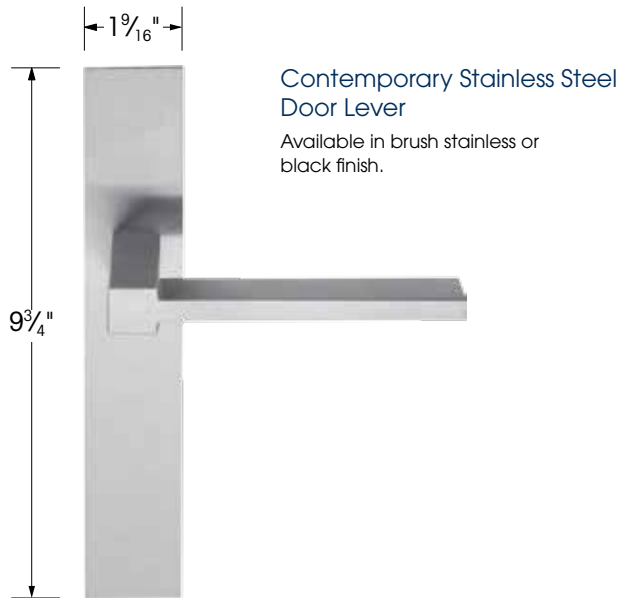
#166 Handle



#159 Handle



PREMIUM DOOR MULTI-POINT LEVER OPTIONS



FLUSHBOLT



DOOR HINGE



Butt Hinge - Standard (Solid Bronze)
*See finish options page 35.